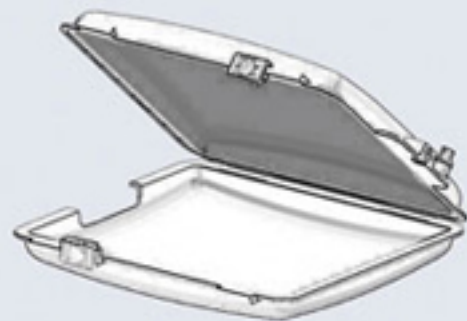
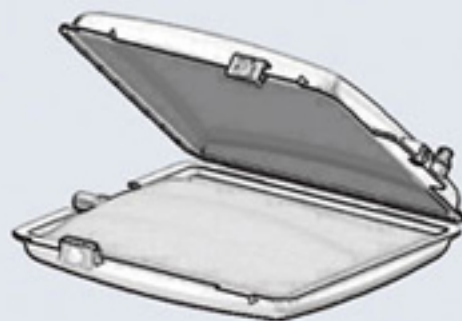


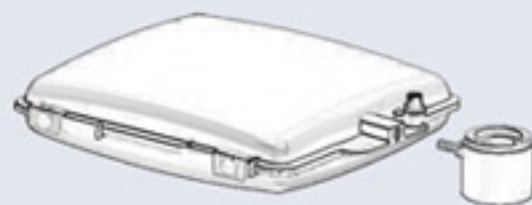
SmartDose® OysterShell - Handling Steps



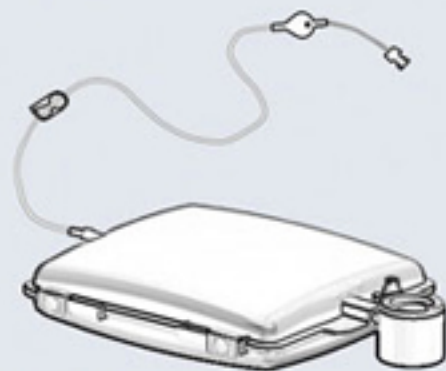
1. Open the OysterShell.



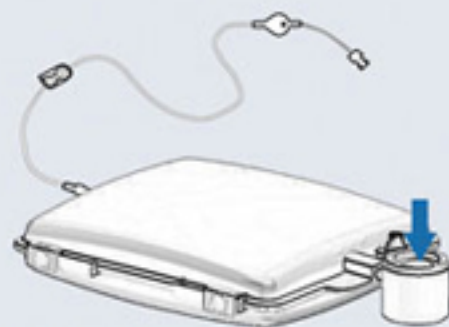
2. Insert IV bag.
Close & lock the shell.



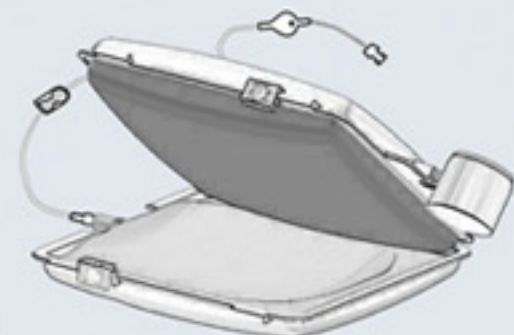
3. Connect the appropriate
PowerCell.



4. Attach the flow rate specific
administration set.



5. Activate the pump by
pressing the PowerCell.



6. After completion of infusion,
discard IV bag, IV set & PowerCell.